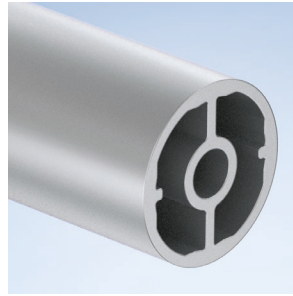
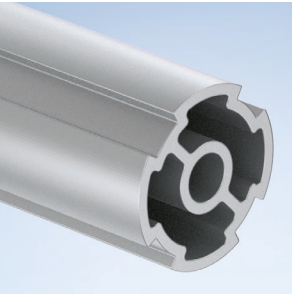




# D28 Round Tube System



## D28 Round Tube System



» Economical design and effortless handling. «

The D28 round tube system was developed for lean production purposes to provide more streamlined and economical use of production resources. Almost any design for individual workshop and assembly equipment can be built using just two profile cross sections and ten connectors.

Whether for supply trolleys, shelves, racks or extensions for workstations, the easy-to-use D28 round tube system means that a single person can put together brand new structures or extensions with little effort. Neither profile machining nor special tools are required for a solid and load-bearing construction.

The D28 round tube system is compatible with mk Series 40 profiles, offering the possibility to combine square and round cross sections. This combines the advantages of both series, ensuring high stability and versatility as well as weight and cost savings.

The system can also be combined with round tube components from market leaders, making it easy to expand any existing designs. In some cases, the range of functions and stiffness are even more extensive thanks to the innovative profile cross-section.

## Benefits of the D28 Round Tube System

- Simple, fast and economical design
- Quick modification of existing applications
- Easy construction requires only one person
- Durable and sturdy connection technology
- Easy connection to mk Series 40 profiles with no need for profile machining
- Employ mk tension plugs for an additional connection option without obstructing edges
- Fully compatible with round tube profiles with a diameter of 28 mm
- Choose the degree of assembly (components, assemblies, complete solutions)
- Particularly light profile at 0.6 kg/m

T-connection



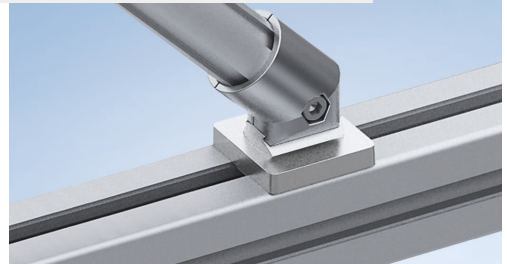
Parallel Connection



Cross Connection



Series 40 Adapter

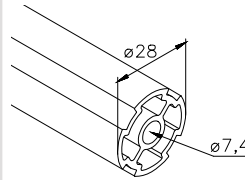


# Series D28 Profiles

## Basic Profiles

Series D28 round tube profiles have a diameter of 28 mm and a centre bore channel of 7.4 mm. They are compatible with mk Series 40 profiles and can be connected with an adapter or tension plug. They can be used for constructing equipment such as light-duty frames, supply trolleys, shelves or extensions for workstations. The optimised contour provides the system with excellent moments of inertia and section moduli.

Material: anodised aluminium



### Profile mk 2279

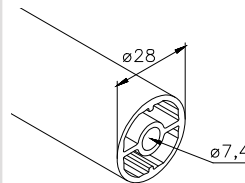
0.63 kg/m

Stock length	52.79.5100
Cut	52.79. ....

M8 thread possible

### End machining

End machining	Item no.
$\phi 10$	5279BV....
$\phi 10$	5279BW....
M8	5279AA....
M8	5279AB....



### Profile mk 2280

0.67 kg/m

Stock length	52.80.5100
Cut	52.80. ....

M8 thread possible

### End machining

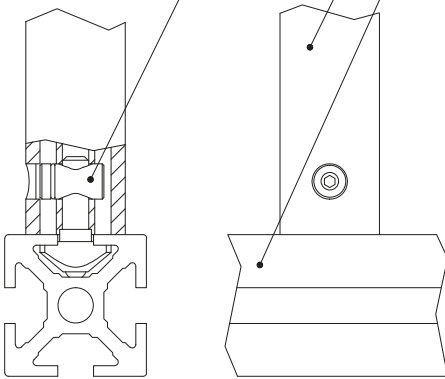
End machining	Item no.
$\phi 10$	5280BV....
$\phi 10$	5280BW....
M8	5280AA....
M8	5280AB....

## Fastening example

Profile mk 2040.01, Al

Profile mk 2280, Al

Series 40 tension plug, galv. steel, B51.03.041



# Notes

A large grid of graph paper for taking notes, consisting of a uniform pattern of small squares covering the majority of the page.

## Connecting Elements

### 90° Angle Fasteners

The T-connector D28 consists of two pre-assembled half shells and is attached using a screw-clamp connection on the longitudinal key of the mk 2279 profile and face of the mk 2279/2280 profiles.

The corner fastener D28 consists of two pre-assembled half shells and is attached using a screw-clamp connection on the face of the mk 2279/2280 profiles.

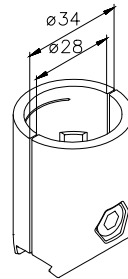
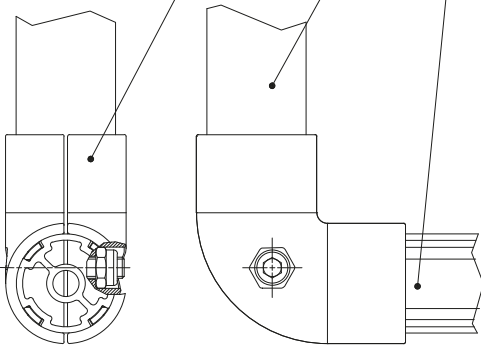
Material: die-cast aluminium

#### Fastening example

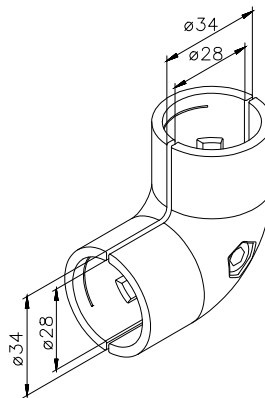
Profile mk 2279, Al

Profile mk 2280, Al

Corner fastener D28, K112280003



T-connector D28  
**K112280001**



Corner fastener D28  
**K112280003**



## Cross Connector

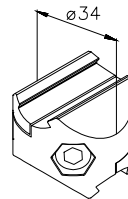
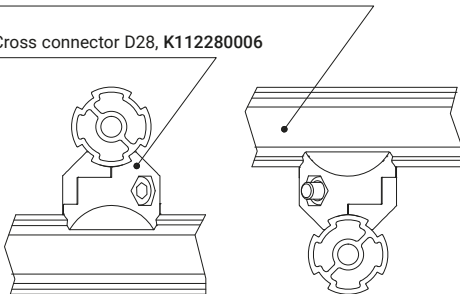
The X cross connector D28 provides a stable connection between two mk 2279 round tube profiles. The connector is attached to the longitudinal keys of the profiles using a screw-clamp connection at a 90° angle.

Material: die-cast aluminium

### Fastening example

Profile mk 2279, Al

X Cross connector D28, K112280006



X Cross connector D28  
**K112280006**

# Connecting Elements

## Angle Fasteners

The 45° connector D28 consists of two pre-assembled half shells and is attached using a screw-clamp connection on the longitudinal key of the mk 2279 profile and face of the mk 2279/2280 profiles.

The angle brace D28 stabilises the corner joints of the mk 2279 profile. The connector also consists of two pre-assembled half shells and is attached using a screw-clamp connection on the longitudinal keys of the profiles. Series 40 corner joints can also be stabilised using the adapter D28/40.

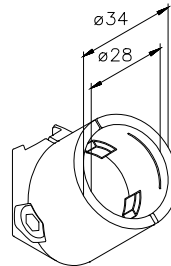
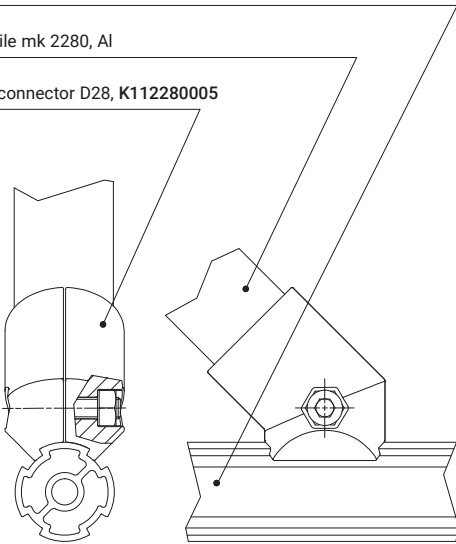
Material: die-cast aluminium

### Fastening example

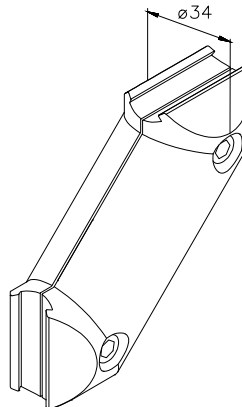
Profile mk 2279, Al

Profile mk 2280, Al

45° connector D28, K112280005



45° connector D28  
**K112280005**



Angle brace D28  
**K112280009**





## Ball Joint Connectors

The ball joint connectors are suitable for variable connections between two Series D28 round tube profiles. Each consists of two pre-assembled half shells. Angles up to 90° can be fixed by tightening the screws.

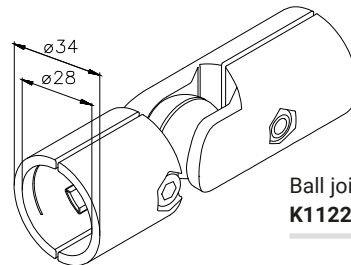
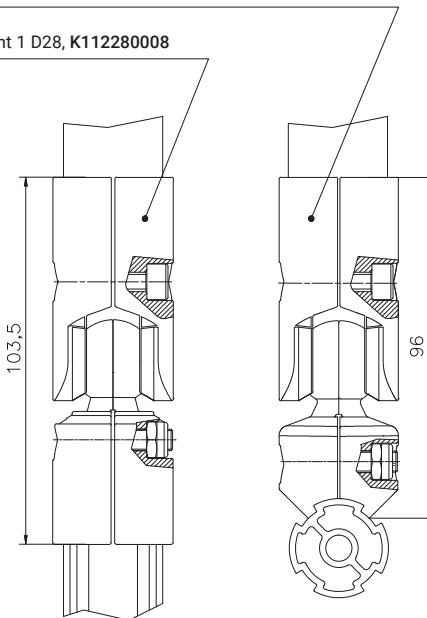
Ball joint 1 D28 is attached using a screw-clamp connection on the face of the profiles. Ball joint 2 D28 consists of two pre-assembled half shells and is attached using a screw-clamp connection on the longitudinal key of the mk 2279 profile and face of the mk 2279/2280 profiles.

Material: die-cast aluminium

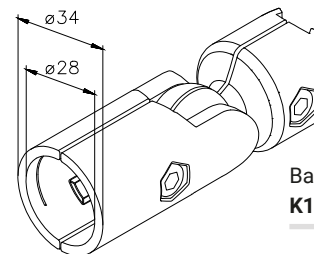
### Fastening example

Ball joint 2 D28, K112280010

Ball joint 1 D28, K112280008



Ball joint 1 D28  
**K112280008**



Ball joint 2 D28  
**K112280010**

# Connecting Elements

## Parallel Connectors

The parallel connector shown here provides a stable connection between two Series D28 round tube profiles that run parallel to each other. They consist of two pre-assembled half shells.

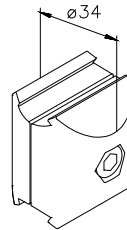
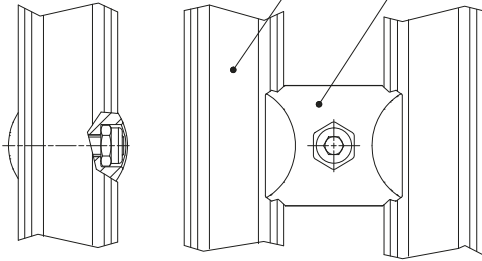
Parallel connector 1 D28 is attached using a screw-clamp connection on the longitudinal key of the mk 2279 profile. Parallel connector 2 D28 is attached using a screw-clamp connection on the longitudinal key of the mk 2279 profile and around the mk 2280 profile.

Material: die-cast aluminium

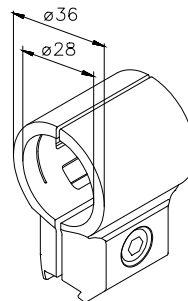
### Fastening example

Parallel connector 1 D28, K112280007

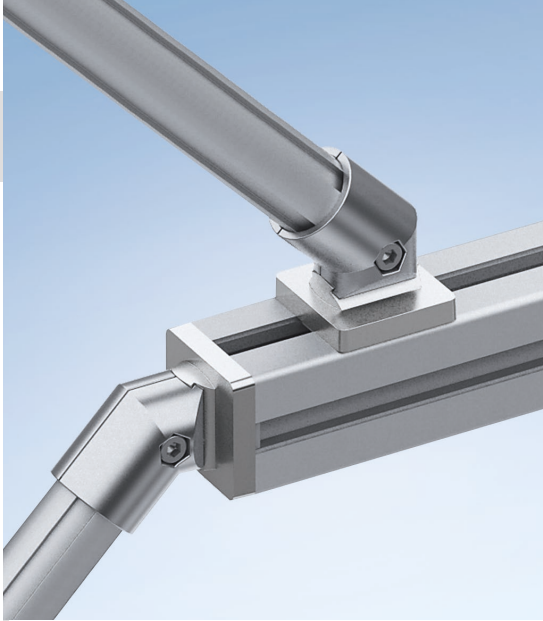
Profile mk 2279, Al



Parallel connector 1 D28  
**K112280007**



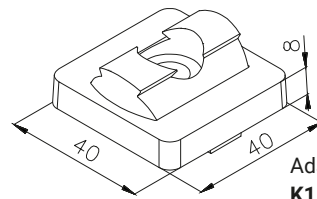
Parallel connector 2 D28  
**K112280011**



## Adapter for Series 40 Profiles

The adapter D28/40 enables a Series 40 profile to be used with Series D28 connectors. The adapter plate is fixed in the slot or attached to the face of a Series 40 profile, which allows a Series 28 screw-clamp connection to be attached.

Material: die-cast aluminium



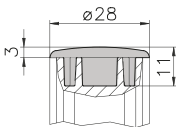
Adapter D28/40  
**K112280004**

## End Cap

The mk 2582 end cap has a diameter of 28 mm and closes the front side of the mk 2279 and mk 2280 profiles. It protects against sharp-edged cutting surfaces and provides for a clean closure and high-quality look. The end cap is fastened to the profile simply by placing it on the end.

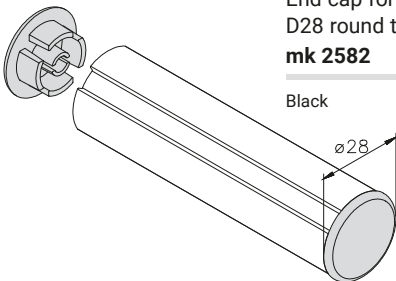
Material: injection-moulded plastic

Dimensional sketch



End cap for the  
D28 round tube profile  
**mk 2582**

Black



## Fastening example

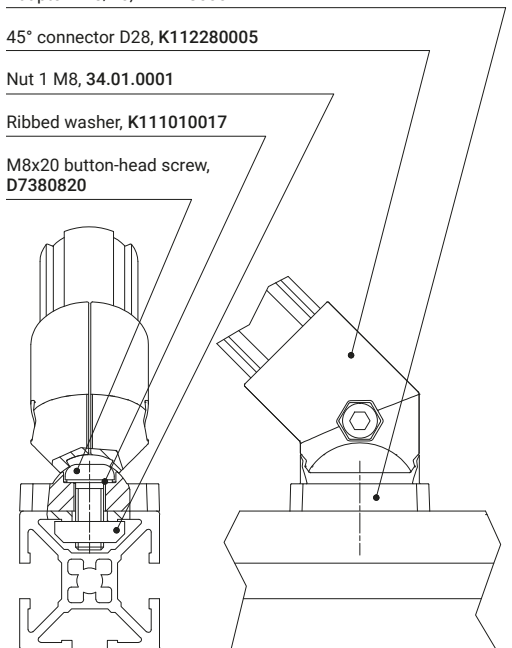
Adapter D28/40, K112280004

45° connector D28, K112280005

Nut 1 M8, 34.01.0001

Ribbed washer, K111010017

M8x20 button-head screw,  
D7380820





Maschinenbau Kitz GmbH  
Headquarters of the  
mk Technology Group

Ampèrestrasse 18  
53844 Troisdorf, Germany  
Germany

Tel. +49 228 4598-0  
info@mk-group.com

